



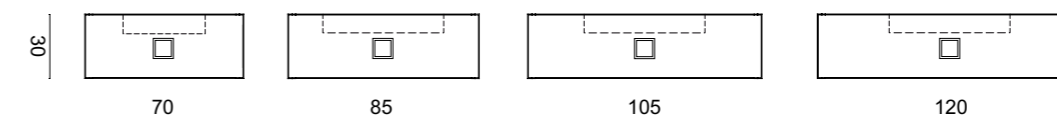
DAPHNE

TECHNICAL DATA

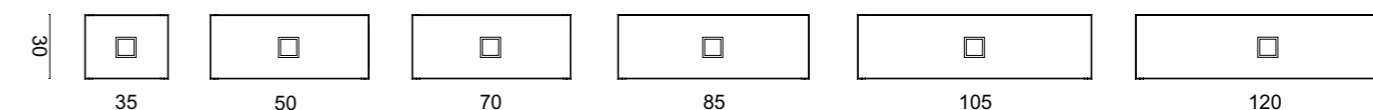


Modularity

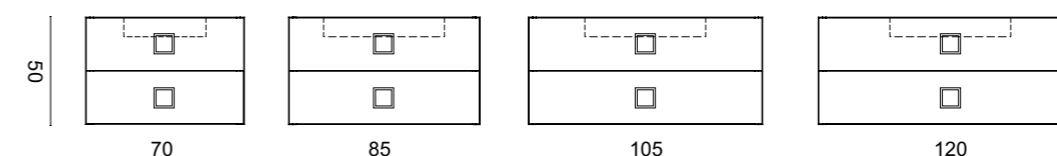
WASHBASIN UNITS - P52,5 X H30 CM



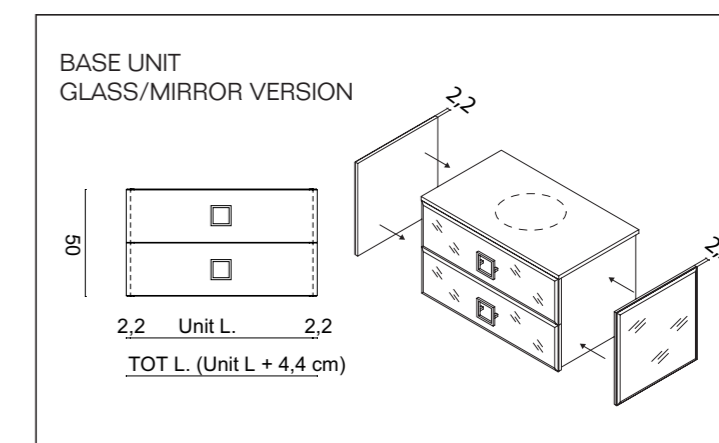
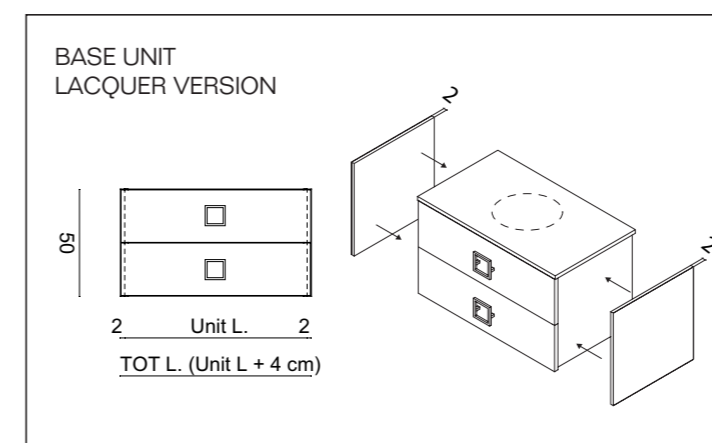
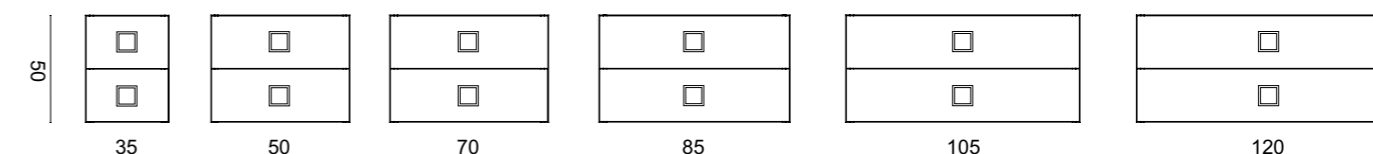
BASE UNITS - P52,5 X H30 CM



WASHBASIN UNITS - P52,5 X H50 CM



BASE UNITS - P52,5 X H50 CM





Countertop Washbasins



CALLA
0CALAOVBL3 - 63 x 44 x 16 cm



CALLA
0CALAOVOR3 - 63 x 44 x 16 cm



CALLA
0CALAOVCR3 - 63 x 44 x 16 cm



LUTETIA
OLTOPT91 - 65 x 47 x 13 cm



PLISSE'
0PILAOVBI3 - 66 x 46 x 16 cm



PLISSE'
0PILAOVBLOR3 - 66 x 46 x 16 cm



PLISSE'
0PILAOVBLCR3 - 66 x 46 x 16 cm



LUTETIA
OLTOPT92 - 88 x 47 x 13 cm



RIALTO
OLTOPT96 - 65 x 47 x 14 cm



DAPHNE
OPT99 - 70 x 48 x 14 cm



HERMITAGE
OPT95 - 70 x 40 x 15

Washbasins



White ceramic washbasin
OLSGA056W
56 x 37 x 18 cm
OLSGA071W
71 x 37 x 19 cm

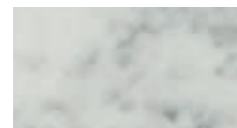


Integrated glass top

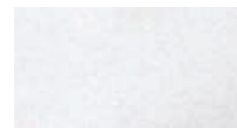
Marble Tops



Bianco Statuario



Bianco Carrara



Lasa Fantastico



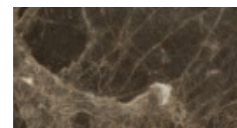
Bardiglio Nuvolato



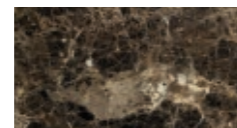
Calacatto Oro



Emperador Light



Emperador Dark



Mystic Brown



Nero Marquinia



Nero Assoluto



Finishes

MIRROR FINISHES



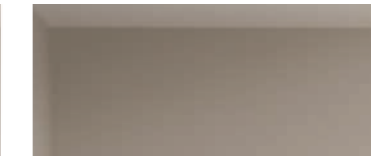
Mirror



Smoke mirror



Bronze mirror

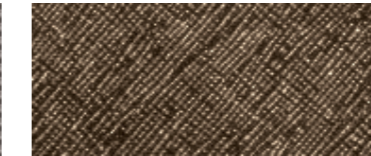


Etched bronze mirror

DECORATED GLASS FINISHES



"Millerighe" glass

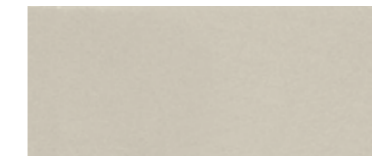


"Saffiano" glass

COLOURED GLASS FINISHES



LACQUERED FINISHES



Handles



DAM01
12 x 3 x 12 cm



DAM02
8 x 3 x 12 cm



DAM05 - MUSA
16 x 3 x 6 cm

Feet



Countertop washbasin
ODAP05
9 x 9 x 22,5 cm

Undercounter washbasin
ODAP06
9 x 9 x 35 cm

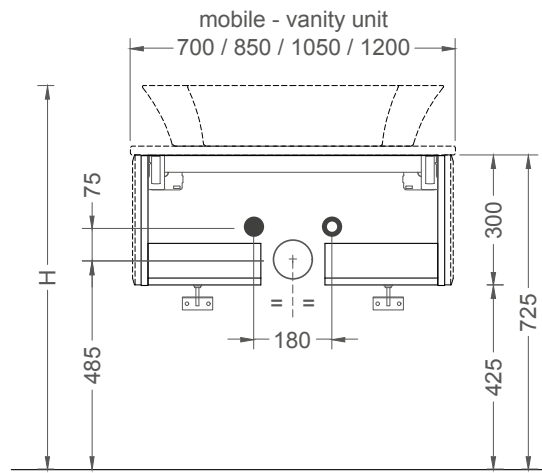
Complements



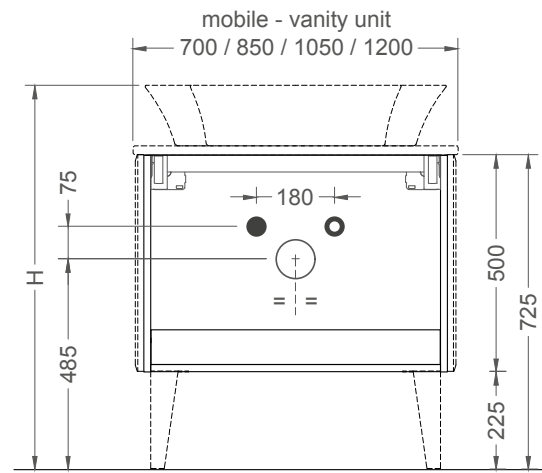
Tall Unit
1 door
35 x 35 x 166 cm

Posizione scarichi

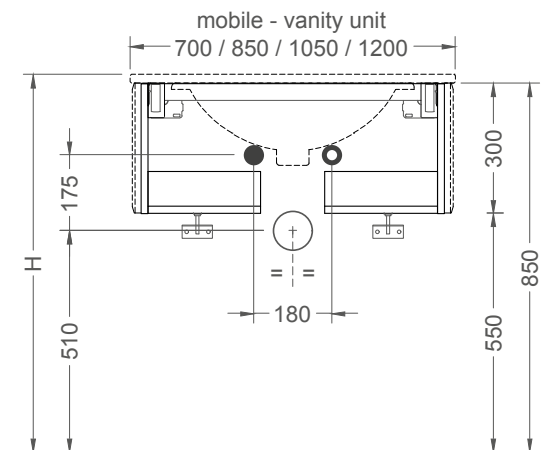
Positioning scheme of the drain pipes / Position der Abläufe für US
 Plan de positionnement des tuyaux de vidage / Стандартная схема вывода воды



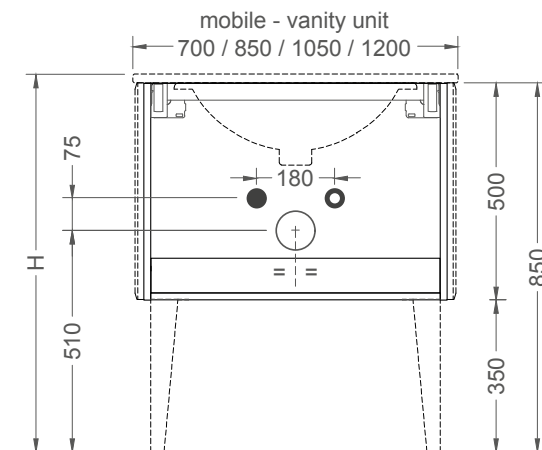
H = spessore top + H lavabo + 725 mm
 H = top tickness + H washbasin + 725 mm



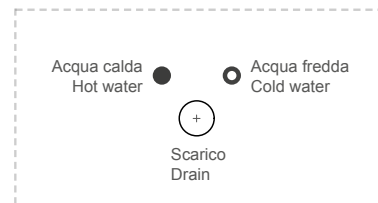
H = spessore top + H lavabo + 725 mm
 H = top tickness + H washbasin + 725 mm



H = spessore top + 850 mm
 H = top tickness + 850 mm

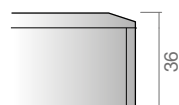


H = spessore top + 850 mm
 H = top tickness + 850 mm

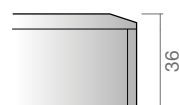


Spessori top

Top thickness / Stärke der Platte / Épaisseur du top
 Толщина столешницы



Top laccato completo di vetro di copertura superiore / Lacquered top with glass



Top in vetro o specchio completamente rivestito / Glass/mirror top (the top is fully clad)



Top in marmo
 Marble top